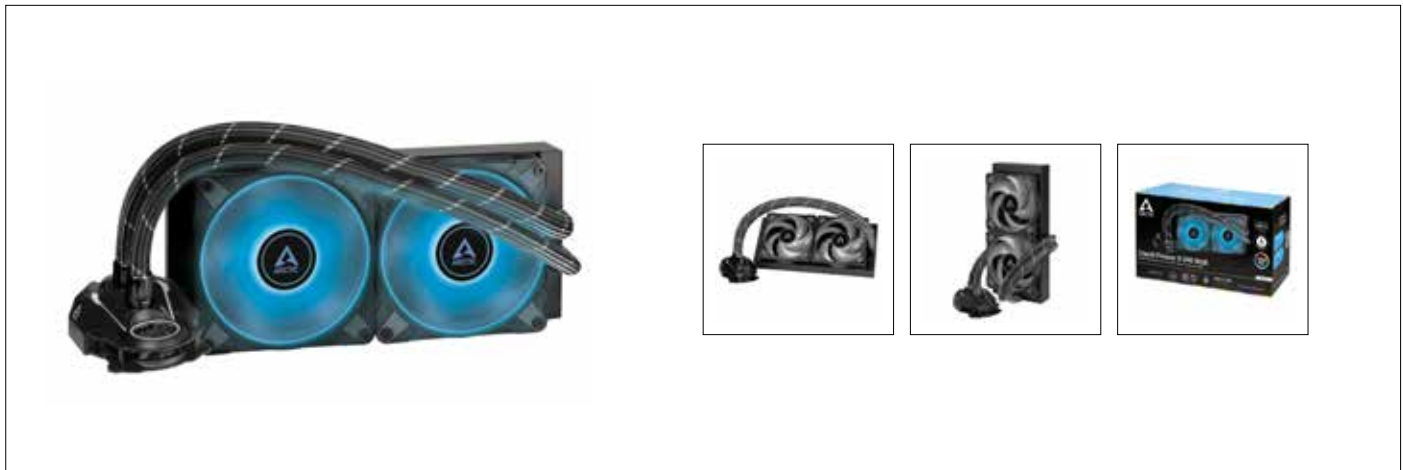


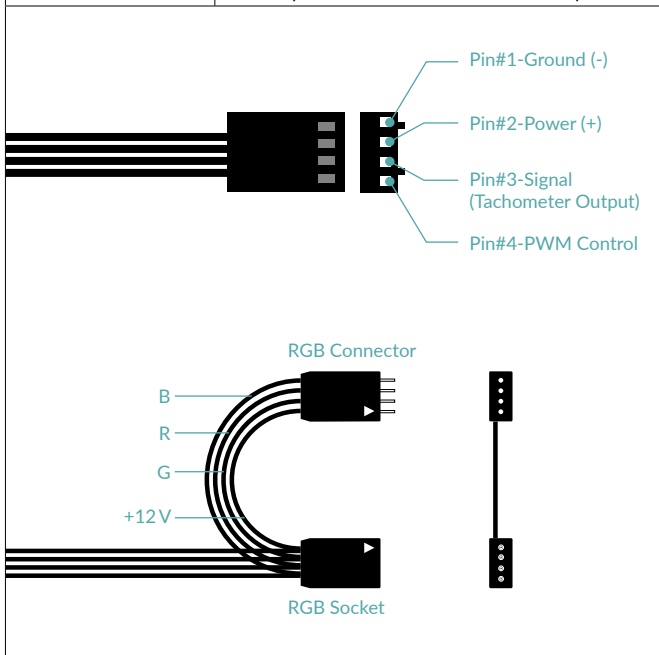
Liquid Freezer II 240 RGB

Multi Compatible All-in-One CPU Water Cooler with RGB



General Specifications

Compatibility	Intel® 1200, 115x, 2011-3*, 2066* AMD® AM4	*Square ILM
TIM	MX-5 (0.8 g)	
Weight	1213 g (2 Fans, Radiator, Pump, Tubes)	
Warranty	6 years	
Connector	Fan: 4-pin PWM Connector LEDs: 4-pin 12V-G-R-B Connector with Y-splitter	



Pump/Cold Plate Specifications

VRM Fan	40 mm, 1000–3000 rpm (Controlled by PWM)
Pump	800–2000 rpm (Controlled by PWM)
Power Consumption	0.5 W–2.7 W Pump and VRM Fan
Tube Length	450 mm
Tube Diameter	Outer 12.4 mm Inner: 6.0 mm
Dimensions	78 (L) x 53 (W) x 98 (H) mm

Fan Specifications

Speed	200–1800 rpm
Airflow	48.8 cfm
Static Pressure	1.85 mm H2O
Noise Level	0.3 Sone
Fan Dimensions	120 (L) x 120 (W) x 25 (H) mm
Speed Control	Pulse Width Modulation
Connector	4-Pin Connector
Bearing	Fluid Dynamic Bearing
Current/Voltage	0.11 A/12 V
RGB Specifications	
LEDs	12 RGB LEDs
Connector	4-Pin 12V-G-R-B
Current/Voltage	0.2 A/12 V

Radiator Specifications

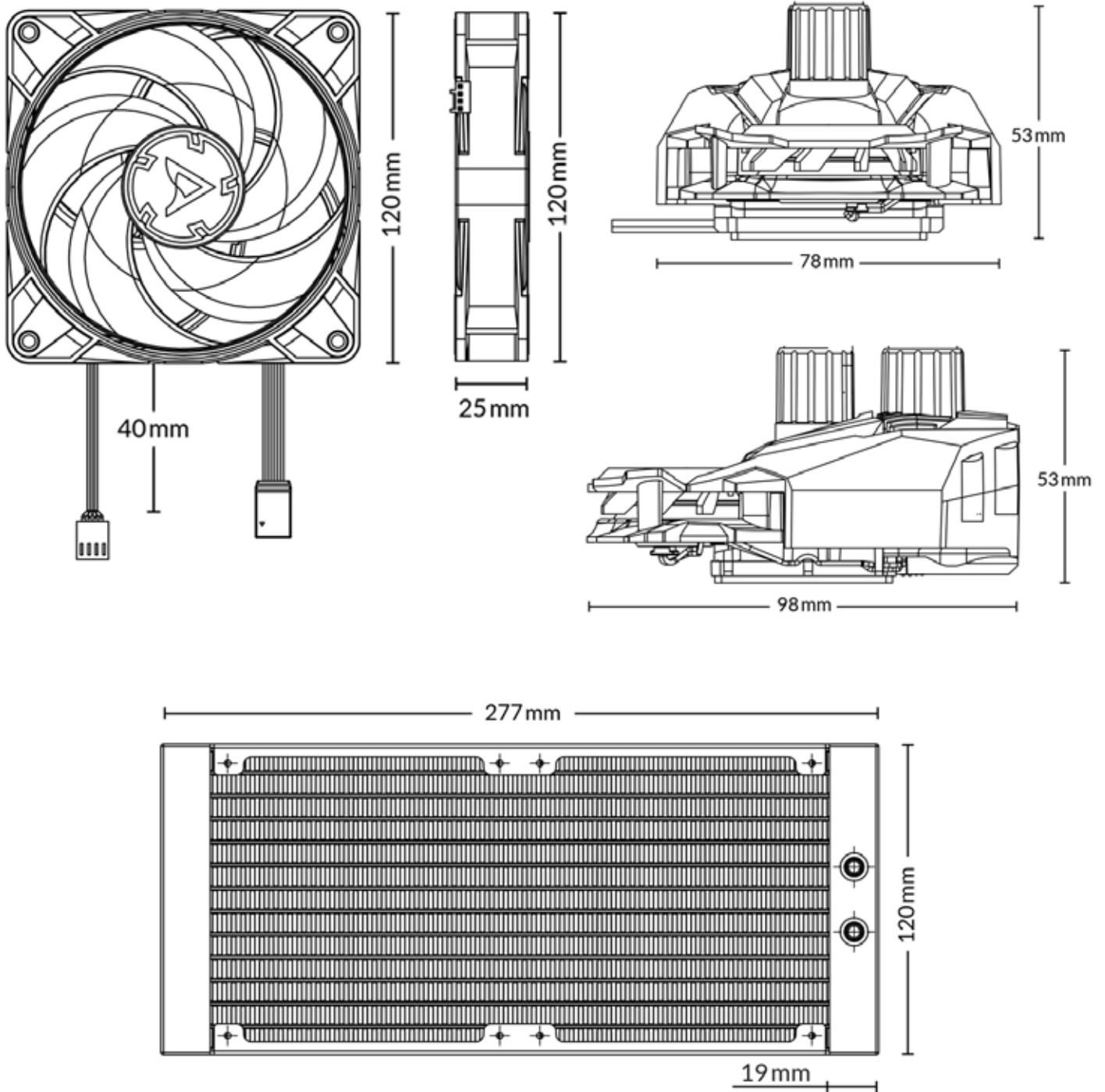
Material	Aluminium
Dimensions	277 (L) x 38 (W) x 120 (H) mm

Shipping Information

Box Dimensions	294 (L) x 142 (W) x 176 (H) mm
Gross Weight	1666 g
SKU	ACFRE00098A
EAN	4895213703161
UPC	840033400961

Liquid Freezer II 240 RGB

Multi Compatible All-in-One CPU Water Cooler with RGB



All materials are compatible with RoHS requirements



Product Information



Manual